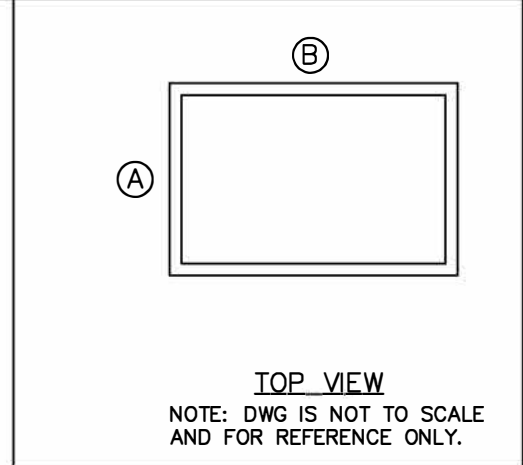


MORTUARY LIFT QUOTE REQUEST FORM-COOLERS

PLEASE FILL IN ALL APPLICABLE INFORMATION BELOW, TO ENSURE THE MOST ACCURATE QUOTE.

CONTACT NAME: _____ PHONE: _____
 COMPANY: _____ EMAIL: _____
 ADDRESS: _____
 CITY, STATE ZIP: _____ FREIGHT ZIP: _____

TYPE OF BOX: COOLER
LOCATION OF BOX: INDOOR OUTDOOR
 ROOF MEMBRANE (OUTDOOR ONLY): YES NO
 IF OUTDOOR, IS DOOR OPENING AGAINST AN EXISTING BUILDING?
BOX SIZE YES NO
 (A) WIDTH (O.D.): _____
 (B) LENGTH (O.D.): _____
 HEIGHT (O.D.): _____
 FLOOR REQ'D: YES NO
(Floors are only req'd if box is over a crawl space or a basement. Floors rated for 700 lbs/sq.ft.)
 RAMP NEEDED: EXTERIOR RAMP INTERIOR RAMP N/A
 FLOOR INT. FINISH: SMOOTH ALUMINUM (STANDARD) STAINLESS TREAD PLATE



BOX FINISH (26 GA. STUCCO GALVANIZED IS STANDARD)
 EXTERIOR: STUCCO GALVANIZED STUCCO WHITE OTHER: _____
 INTERIOR: STUCCO GALVANIZED STUCCO WHITE OTHER: _____
CEILING STYLE (LAG DOWN IS STANDARD) CEILING SUPPORT (Req'd for any spans over 16')
 LAG DOWN CAM DOWN HANGER BRACKETS BEAM & POSTS

DOOR SIZE & OPTIONS (36" x 84" IS STANDARD)
 36" x 84" 48" x 84" 60" x 84" CUSTOM SIZE: _____

DOOR & HINGE LOCATION(S)
 PLEASE INDICATE WHERE YOU WOULD LIKE THE DOOR(S) TO BE PLACED AS WELL AS THE SWING, OF ALL DOORS, BY DRAWING IT ON THE REFERENCE DRAWING ABOVE.

REFRIGERATION REQUIRED YES NO
TYPE OF POWER: SINGLE PHASE THREE PHASE
CONDENSING UNIT OPTIONS: INDOOR OUTDOOR | SELF-CONTAINED REMOTE
TEMP. INSIDE BOX: 35°F 38°F AMBIENT TEMP. AROUND BOX: _____

PRODUCT INFO:
 # OF BODIES: _____ INCOMING BODY TEMP: _____ HOW MANY BODIES PER DAY: _____
DOOR USAGE INFO-ESTIMATED # OF DOOR OPENINGS PER HOUR: _____
SPECIAL NOTES/REQUESTS: _____

Mortuary Lift Company
 127 Cottage Grove
 Cedar Rapids, IA 52403
 PHONE: 319-364-4910
 Email: Info@mortuarylift.com
 www.mortuarylift.com