

THE ULTIMATE 1000 LIFT™

Installation Suggestions

MORTUARY LIFT™ COMPANY

A L i f t i n g E x p e r i e n c e ™



127 Cottage Grove Avenue S.E.
Cedar Rapids, Iowa 52403
800-628-8809 • 319-364-4910
www.mortuarylift.com

MOUNTING OPTIONS

DO NOT RECESS TRACK

You have several options when installing your **ULTIMATE 1000 LIFT™**. It can be mounted 1) **STATIONARY** in a fixed location where the machine does not move or 2) **TRACK** or **All-ACCESS TRACK SYSTEM**, where the lift can be moved from one location to another.

Either system can also be mounted **FLUSH** (directly against the ceiling) or **SUSPENDED** (down from the ceiling to almost any height using all thread & sway bracing, not shown in pictures). Also, the **Freedom Pivot** can be added to both systems.

This **INSTALLATION SUGGESTION** guide explains the different methods of installation and provides the basic guidelines of the various types of mounting options.

Electrical Requirements:

Electrical requirements for this machine are a **110v 15amp grounded outlet with surge protector placed within 5' of the machine**. A standard 5' cord is sent pre-installed with all stationary units. **It is highly recommended to have the outlet, to which the machine is plugged, wired to a wall switch for emergency shutoff purposes.**

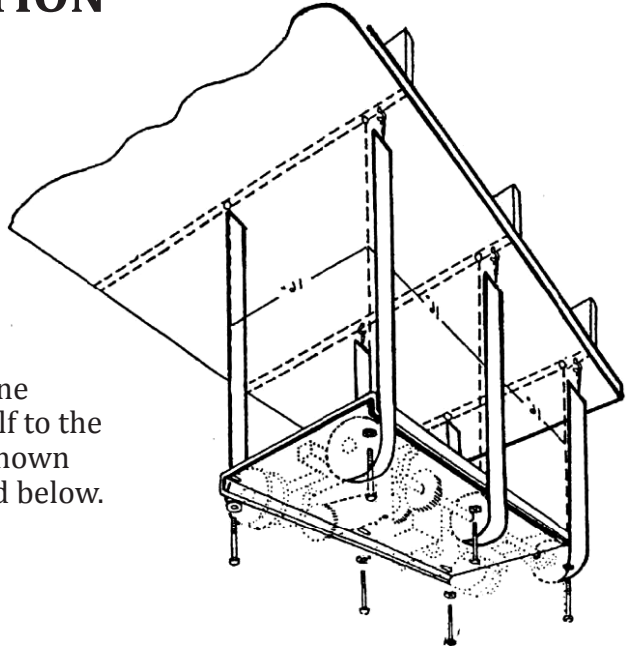
WARNING

These instructions are recommendations only and are intended to provide you with some basic guidelines for installation.

We strongly urge you to verify the proposed details of your unique installation with a local engineer and a local building code official to verify its adequacy and ensure compliance with local codes and ordinances.

STATIONARY INSTALLATION on a Wood Joist Ceiling

This machine will lift itself to the ceiling as shown & described below.



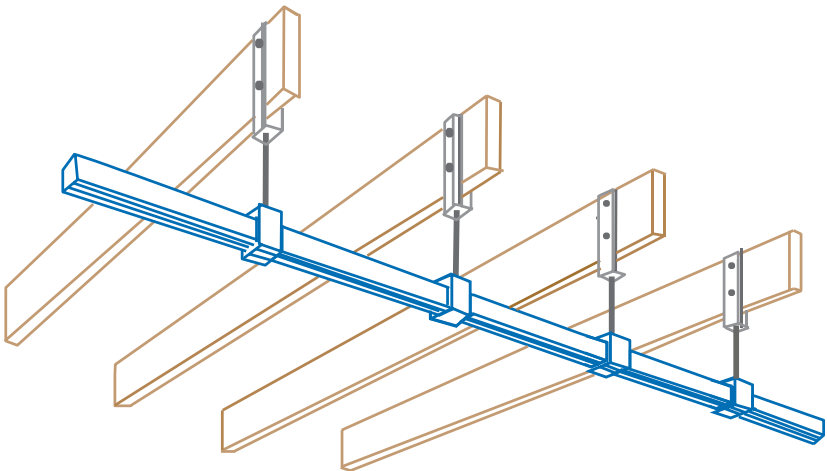
1. Locate ceiling joists and pre-drill six 1/4" holes (depending on your joist spacing) for 3/8" lag screws approximately 2" deep on 16" centers.
2. Place 6 large eye lag bolts 6" outside the previously pre-drilled lag screw holes as shown.
3. While the machine is still on the ground, plug the machine in and unwind straps until fully extended.
4. Flip the machine so that the motor and components are touching the floor.
5. Connect extended straps to eye bolts and lift the hoist to the ceiling by pressing the up button on the remote or pendant (this keeps the hooks on the machine from jamming or catching in the machine spools while lifting). Be sure the straps wind up level on the spools.
6. In securing the hoist to the ceiling it is very important to keep the frame level and not to conform to the irregularities of the ceiling.

Securing *THE ULTIMATE 1000 LIFT™*

- A. Place lag screws in three corners and tighten until uniformly snug and firm.
- B. Detach straps from screw hooks, tighten lag screw in the fourth corner until the metal washer is firm against the frame and does not rattle. A good method is to make this adjustment while the motor is in operation. When in perfect alignment the motor will run smoothly and quietly.
- C. Insert and tighten the center (2) lag screws until the metal washer touches the frame and does not rattle.

Sample:

Suspended monorail track mount on a wood joist ceiling mounted perpendicular to the joists



THE ULTIMATE 1000 LIFT™

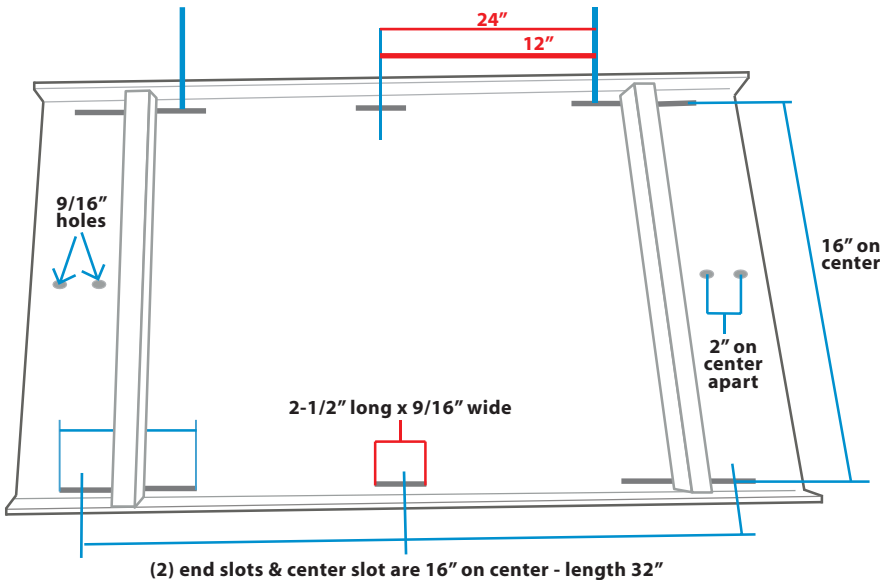
Machine Base

Circular Holes:

- (4) Circular holes
- 9/16" Diameter
- 2" from short edge of machine base

Slotted Holes:

- Used for stationary mounting with lag bolts or All Thread
- (10) Slotted holes – (5) on each side of the machine
- (2) End slots are 16" on center
- Slots are 2 1/2" Long X 9/16" Wide
- Slots are 1/2" from long edge of the machine.



DO NOT RECESS TRACK

Revised 10-03-18

MORTUARY LIFT™ COMPANY

A L i f t i n g E x p e r i e n c e ™



THE ULTIMATE 1000 LIFT™

127 Cottage Grove Avenue S.E.
Cedar Rapids, Iowa 52403
800-628-8809 • 319-364-4910
www.mortuarylift.com